

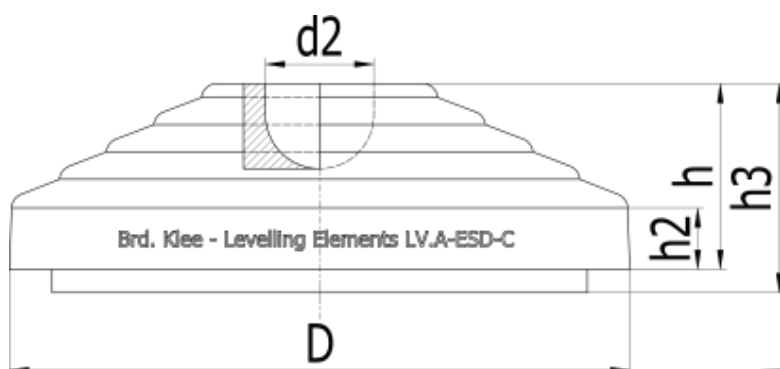
# Data Sheet



Article number: 2310301241ESD

Description: E+G Antistatic base for levelling elements  
LV.A-60-14-ESD-C

## Measures



D	= 60
d2	= 14
h	= 24
h2	= 9
h3	= 27
N	= 14000
Weight in g	= 32